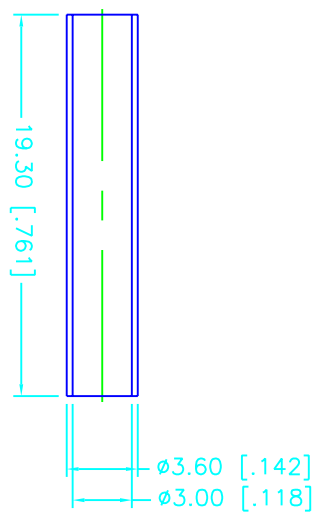
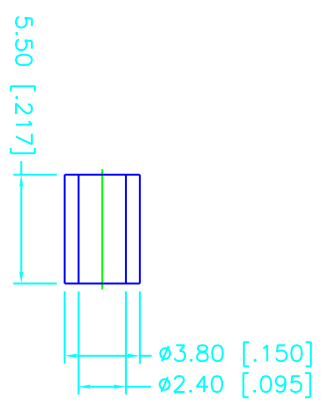
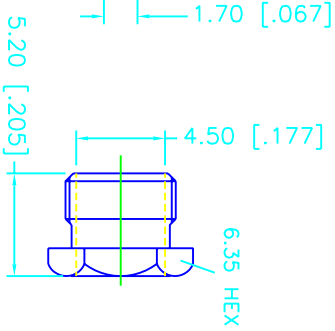
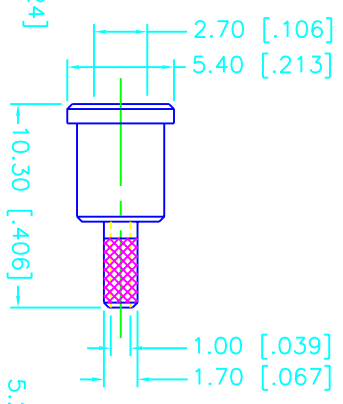
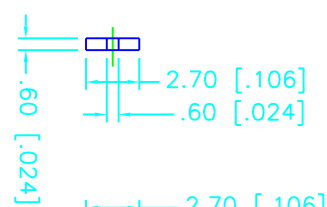
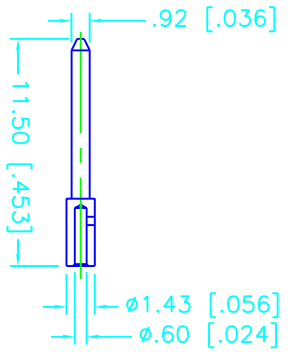
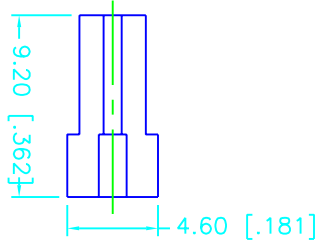
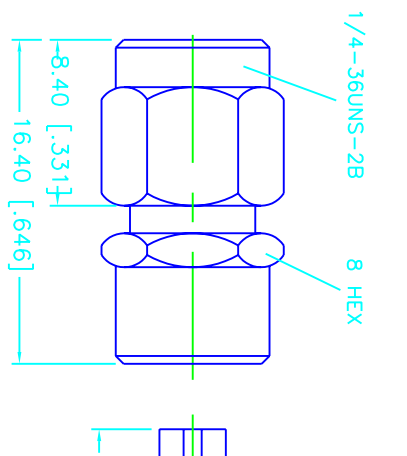
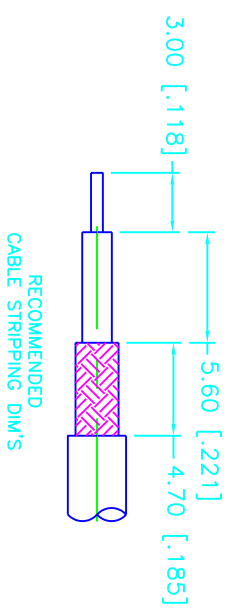


REV.	DATE	DESCRIPTION
A	06/25/98	ADDITIONS AND MODIFICATIONS TO CONNECTOR
B	01/27/00	MODIFY INSULATOR / CONTACT PIN



DESCRIPTION	MATERIAL	FINISH	UNLESS OTHERWISE SPECIFIED DIMENSIONS ARE IN MILLIMETERS	APPROVALS	DATE	TITLE	
1 BODY	BRASS	GOLD	DIMENSIONS IN () ARE IN INCHES FOR CUSTOMER REFERENCE ONLY UNLESS OTHERWISE SPECIFIED TOLERANCES FOR MILLIMETERS ARE: 0.5-6 = ± 0.2 6-30 = ± 0.4 30-120 = ± 0.6 120-315 = ± 1 315-1000 = ± 1.6 1000-2000 = ± 2.4	DRAWN	G.R.S.	01/27/00	Connext Connector Corporation SMA CRIMP PLUG (FOR RG-178B/U, 196A/U CABLE)
2 INSULATOR	TEFLON	NATURAL		CHECKED			
3 CONTACT PIN	BRASS	GOLD		ISSUED			
4 BARREL	BRASS	GOLD					
5 HEX NUT	BRASS	GOLD					
6 FERRULE	COPPER	GOLD					
7 HEAT SHRINK							
8				DO NOT SCALE DRAWING			